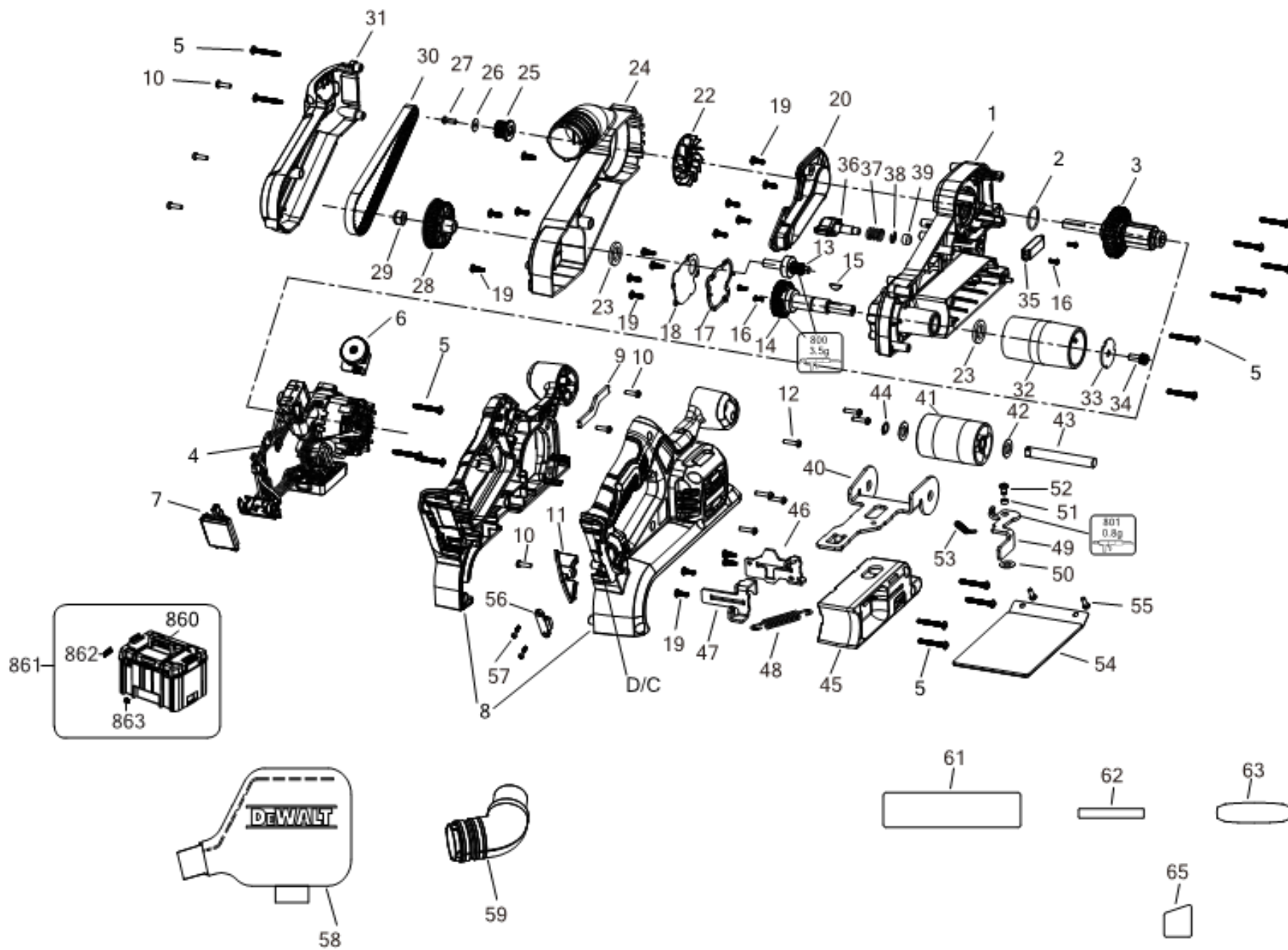


# DCW220NT BELT SANDER 1



## Parts List DCW220NT BELT SANDER 1

Item	Part Number	Qty	Part Description	General Description	Other Info	Repair Inst	Markets
1	NA255980	1	GEARCASE SA			No	XJ
2	N119639	1	O RING			No	XJ
3	NA255981	1	ROTOR SA			No	XJ
4	NA258250	1	STATOR SA			No	XJ
5	330045-09	16	SCREW			No	XJ
6	NA048819	1	DIAL PLATE			No	XJ
7	NA162518	1	PCB SA			No	XJ
8	NA187796	1	HOUSING SA			No	XJ
9	NA150762	1	BRACKET			No	XJ
10	330019-02	6	SCREW			No	XJ
11	NA118353	1	BAFFLE			No	XJ
12	330019-03	6	SCREW			No	XJ
13	NA255983	1	GEAR & SHAFT			No	XJ
14	NA255984	1	GEAR & SHAFT			No	XJ
15	NA005986	1	WOODRUFF KEY			No	XJ
16	330045-43	4	SCREW			No	XJ
17	NA147483	1	GASKET			No	XJ
18	NA005994	1	COVER			No	XJ
19	330045-45	17	SCREW			No	XJ
20	N920074	1	BAFFLE			No	XJ
22	NA273130	1	FAN			No	XJ
23	NA091406	2	FELT SEAL			No	XJ
24	N911167	1	COVER LH			No	XJ
25	N913014	1	PULLEY SA			No	XJ
26	NA262558	1	WASHER			No	XJ
27	NA048473	1	SCREW			No	XJ
28	NA005991	1	PULLEY			No	XJ
29	N549053	1	NUT			No	XJ
30	N880479	1	BELT			No	XJ
31	N911170	1	BELT COVER			No	XJ
32	N911726	1	DRIVE ROLLER			No	XJ
33	NA005989	1	PLATE			No	XJ

## Parts List DCW220NT BELT SANDER 1

Item	Part Number	Qty	Part Description	General Description	Other Info	Repair Inst	Markets
34	641208-00	1	SCREW			No	XJ
35	NA006025	1	PLATE			No	XJ
36	NA006007	1	KNOB			No	XJ
37	NA006005	1	SPRING			No	XJ
38	NA089076	1	LOCKING RING			No	XJ
39	NA071738	1	CAP			No	XJ
40	NA006014	1	BRACKET			No	XJ
41	NA255985	1	ROLLER SA			No	XJ
42	N506930	2	WASHER			No	XJ
43	NA006016	1	SHAFT			No	XJ
44	444793-00	1	CIRCLIP			No	XJ
45	NA006003	1	COVER			No	XJ
46	NA048300	1	FRONT BRACKET			No	XJ
47	NA064063	1	SUPPORT PLATE			No	XJ
48	NA006361	1	SPRING			No	XJ
49	NA006020	1	LEVER			No	XJ
50	NA079157	1	WASHER			No	XJ
51	NA006022	1	SLEEVE			No	XJ
52	N506853	1	SCREW			No	XJ
53	NA006363	1	SPRING			No	XJ
54	NA255986	1	COVER			No	XJ
55	N510972	2	SCREW	M4*12		No	XJ
56	N787996	1	INSERT			No	XJ
57	N831593	2	SCREW			No	XJ
58	NA066359	1	DUST BAG SA			No	XJ
59	NA278256	1	CONNECTOR			No	XJ
61	NA168673	1	RATING LABEL			No	XJ
62	NA168675	1	IDENTITY LABEL			No	XJ
63	NA164445	1	LABEL	BRUSHLESS		No	XJ
65	NA180184	1	LABEL	WTC LABEL		No	XJ
800	808386-00	1	GREASE	MOLYKOTE G68 100GMS		No	XJ
801	870889-02	1	GREASE			No	XJ

## Parts List DCW220NT BELT SANDER 1

Item	Part Number	Qty	Part Description	General Description	Other Info	Repair Inst	Markets
860	H1400196008	1	HANDLE			No	XJ
861	N429655	1	KITBOX			No	XJ
862	N409477	1	LATCH			No	XJ
863	P910190	1	LATCH			No	XJ